



ARP-5517AX-AMA (Ceiling Mount)

Wall Mount 17-inch Resistive Touch Screen Operator Workstation (Ceiling Mount)

Features

- 17" LCD, 1280 x 1024 Resolution
- 5-Wire Resistive Touch Screen
- Intel Celeron J1900 @ 1.99GHz / Atom E3845 @ 1.91GHz CPU; Intel i7-6600U CPU
- Up to 8GB DDR3 / Up to 16GB DDR4 SO-DIMM
- Stainless Steel Fully Closed Enclosure
- Meets NEMA 4X / IP66 Protection Requirements
- Stainless Steel Wall Mount Mounting Brackets Included
- Waterproof Keyboard and Pointing Device
- Three Keyboard Options
- ThinManager Ready Version Available
- Cables for 24V DC Input and Gigabit Ethernet (RJ45)

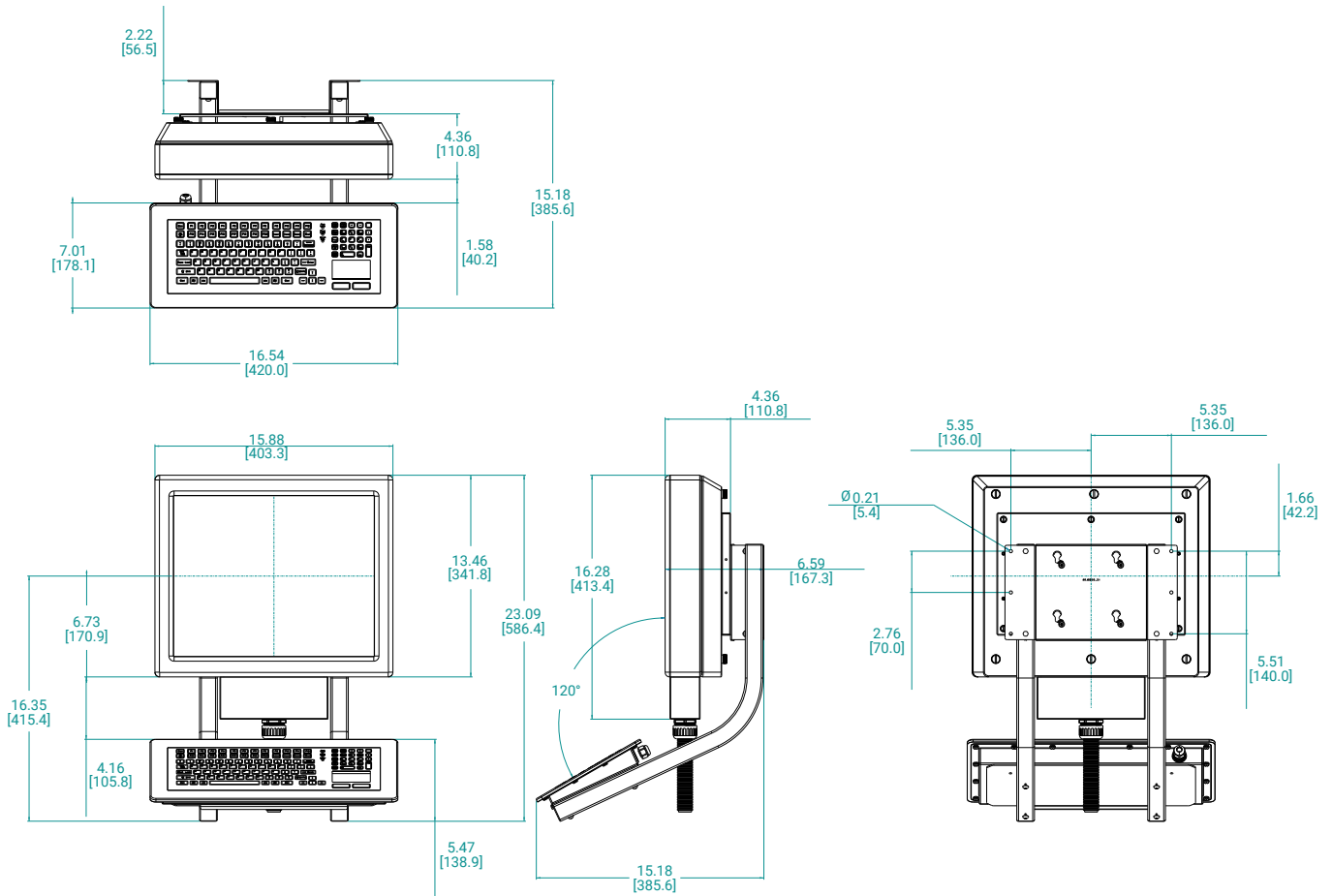
Specifications

Model Name	ARP-5517AX-AMA (Ceiling Mount)	
	E01	H01
LCD Display		
Display Size (Diagonal)	17.0 inch	17.0 inch
Max Resolution	1280 x 1024	1280 x 1024
Backlight Lifetime (Hours)	50,000 hours	50,000 hours
Visual Characteristics		
Colors	16.7 million	16.7 million
Aspect Ratio	5:4	5:4
Viewing Angle (V/H)	160° / 140°	160° / 140°
Contrast Ratio	800 : 1	800 : 1
Brightness	350 nits	350 nits
Touchscreen		
Technology	5 Wire Resistive	5 Wire Resistive
Interface	USB	USB
Driver	Windows 7, Windows 10	Windows 10
System		
CPU	Intel Celeron J1900 @ 1.99GHz / Atom E3845 @ 1.91GHz CPU	Intel i7-6600U CPU
Chipset	Bay Trail	Skylake
Memory	Up to 8GB DDR3 SO-DIMM	Up to 16GB DDR4 SO-DIMM
Video Controller	Intel Gen7 Intel Graphics DX 11, OGL3.2	Intel HD Graphics 520
External Video Output	N/A	N/A
Storage Option	2.5" SSD	2.5" SSD
CFast	Optional	Optional
Keyboard	Membrane or Silicon Rubber Keyboard	Membrane or Silicon Rubber Keyboard
Mouse	Pointing Device or Touch Pad	Pointing Device or Touch Pad
Audio	N/A	N/A
Watchdog Timer	Programmable 1 - 255 sec	Programmable 1 - 255 sec
Remote Boot	ThinManager Ready, PXE	N/A
Expansion Slot	N/A	N/A
I/O Communication		
USB Port	1x USB 2.0	1x USB 2.0
Serial Port	N/A	N/A
IEEE 1394	N/A	N/A
LAN / Wi-Fi	1 x Gigabit	1 x Gigabit
Parallel	N/A	N/A
GPIO	N/A	N/A
OS Support		
OS Support	Windows 7, Windows 10	Windows 10
Power/Thermal Specs		
Power Requirement (Max)	24VDC / 1.25A	24VDC / 1.80A
Power Consumption (Max)	30 W	43 W
Recommended Power Supply	43 W	62W
Heat Dissipation	103 BTU/hr	146 BTU/hr
Physical Information		
Mounting	Optional Mounting (Refer to Accessories)	Optional Mounting (Refer to Accessories)
Net Weight	44 Lbs / 20Kg	44 Lbs / 20Kg
Dimension (W x H x D)	--	--
Recommended Cutout Dimension (WxH)	N/A	N/A
Environmental		
Operation Temperature	0-35°C (32-95°F)	0-35°C (32-95°F)
Storage Temperature	-20-60°C (-4-140°F)	-20-60°C (-4-140°F)
Humidity	0-95%	0-95%
Rating	Meets NEMA 4X / IP65	Meets NEMA 4X / IP65
Certification	N/A	N/A

Dimension Drawing

Model Name: ARP-5517AX-AMA-E01 (Ceiling Mount)

Size Unit: inch(mm)



Ordering Information

This is one of the illustrations showing ARP-5517AX can be used in the workstation setup. Please call ARISTA sales for various workstation mounting options.